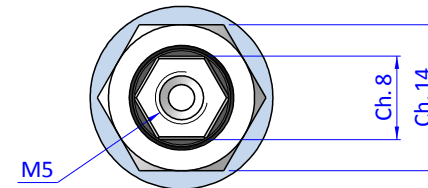
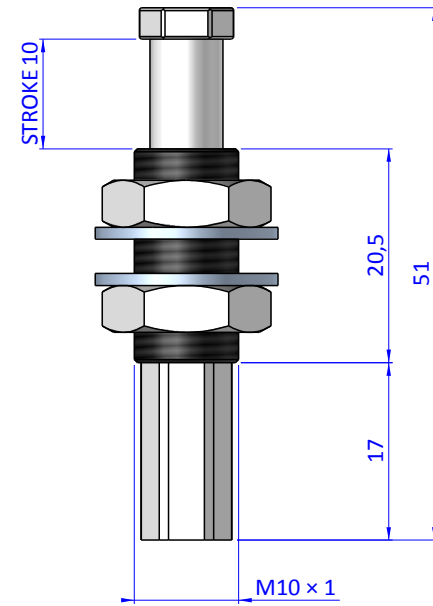
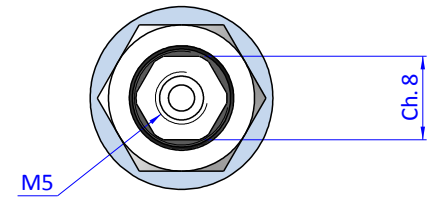
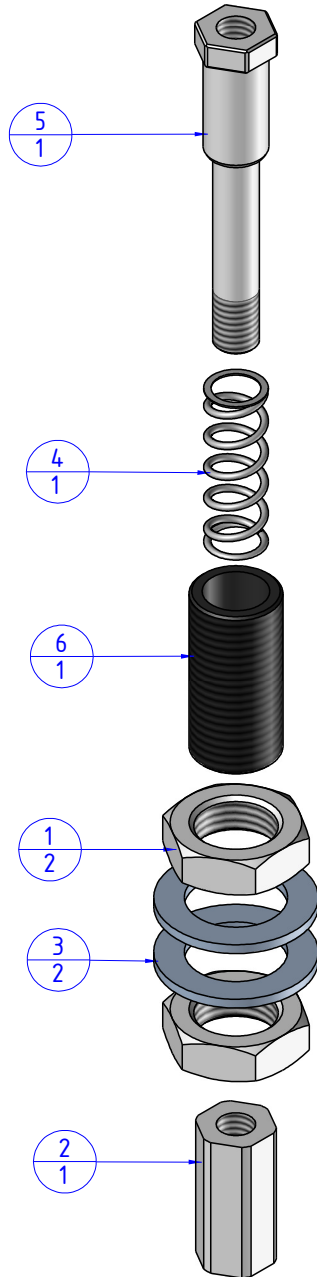


THE PROPERTY OF THE DRAWING IS ESTABLISHED BY LAW. IT IS FORBIDDEN TO PRODUCE OR SHOW IT TO THIRD PARTY, WITHOUT A WRITTEN AGREEMENT.

Item	Name	Q.ty
1	05.01.005.06	2
2	VSN.10.1	1
3	R.10.SCH	2
4	M.5.9X20B	1
5	SDR.1010.01	1
6	SDRG.1010.02	1



Format A3

UNI 936-76

		DESIGNED FROM	REVIEW
		FP SERVICES	A / 7
GENERAL TOLERANCE	DESCRIPTION	DATE	WEIGHT
UNI - ISO 2768	CA.SDRG.1010	11/02/2019	0,012kg
CLASSE f		CODE	CA.SDRG.1010